

TELECHIEF® SERIES

Industrial Wireless Radio Remote Control System

TM2000/4000/6000

Features & Benefits

- Puts operator in control at a safe distance
- Long range operation of up to 330 ft. (100 meters)
- Operation frequency: 310 - 330 MHz fully compliant with FCC Part 15 & CE European directive (non-licensed system)
- Configurable auxiliary contact (RO) for normal open/closed operations
- Very efficient power management allows long battery life
- 32 bit security code (4.1 billion addresses)
- Operating temperature: -45°C ~ +80°C
- One year warranty from date of purchase
- IP65 rated enclosures
- Advanced compact circuit design
- 80 operating channels
- Error detection and correction
- Glass fiber/ABS construction

Safety

The wireless technology incorporates the latest advancements in RF and microprocessor design. Such features as jammed push button detection, low battery alert and unique 32-bit ID codes all insure safe wireless operation of your equipment. Most of all, wireless technology removes the operator from harm's way. The operator can choose the safest and most convenient operation position.

Reliability

Extensive use of surface mount technology and advanced digital technology reduces the part count and simplifies design. All circuitry is shock-proof mounted within a rigid glass filled nylon enclosure for long service life. This commitment to reliability is backed by a 1-year warranty, the best in the industry.

**CONTROL
CHIEF** 
WIRELESS SOLUTIONS

TELECHIEF® SERIES

Technical Specifications

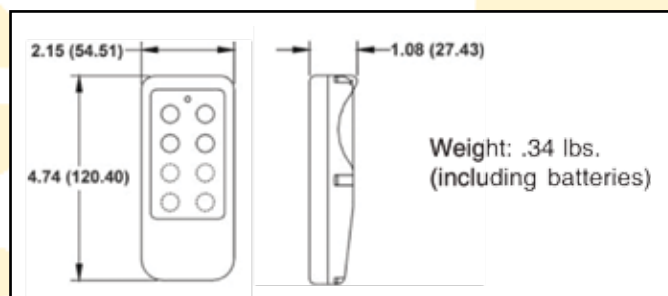
Transmitter Specifications

- Very lightweight (155g) with batteries
- Runs on 2 standard AA alkaline batteries
- Includes low power indicator
- Jammed button detection
- Modulation: FM
- Internal antenna
- Shock resistant
- Very low power consumption
- Long battery life

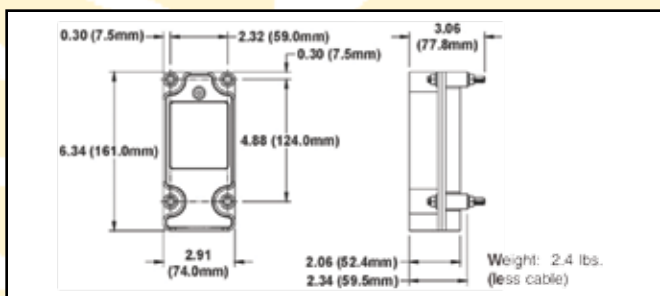
Receiver Specifications

- Multiple supply voltages: Available in AC or DC power
- Power-on/mainline contact
- LED display of power and contact closure status
- Sensitivity: Approximately -105 dBm
- Pre-wired 6 ft. (1.83 meter) cable
- Control relay rating: 10A @ 125 VAC, 5A @ 250VAC, 8A @ 30 VDC
- 4-point shock mount design for demanding mobile and industrial applications
- Independent common configuration for mixed control voltage applications

Transmitter Dimensions

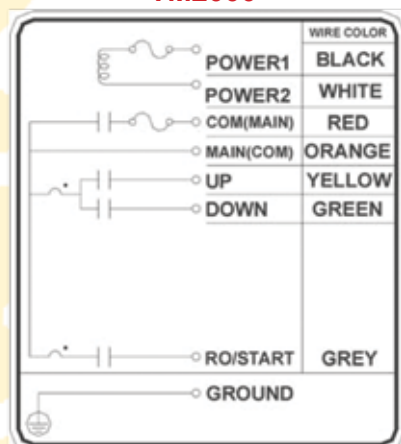


Receiver Dimensions



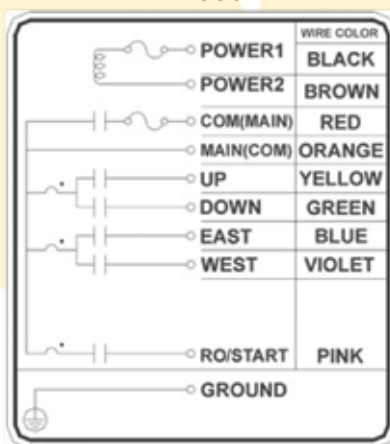
Wiring Diagrams

TM2000



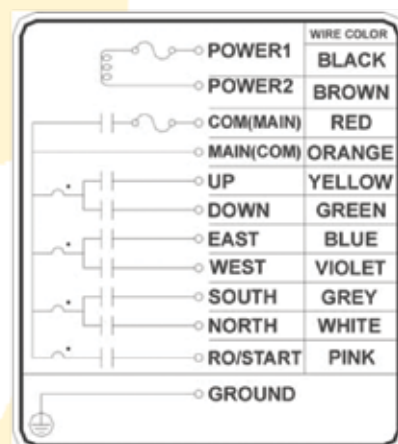
4-button wiring schematic

TM4000



6-button wiring schematic

TM6000



8-button wiring schematic

Wiring diagrams for reference only - not for installation



www.controlchief.com

WIRELESS SOLUTIONS

200 Williams Street
Bradford, PA 16701
800.233.3016 • 814.362.6811
Fax: 814.368.4133

